



XC958



HANLINK MOBILITY TANZANIA  Julius K. Nyerere Road, Dar es Salaam



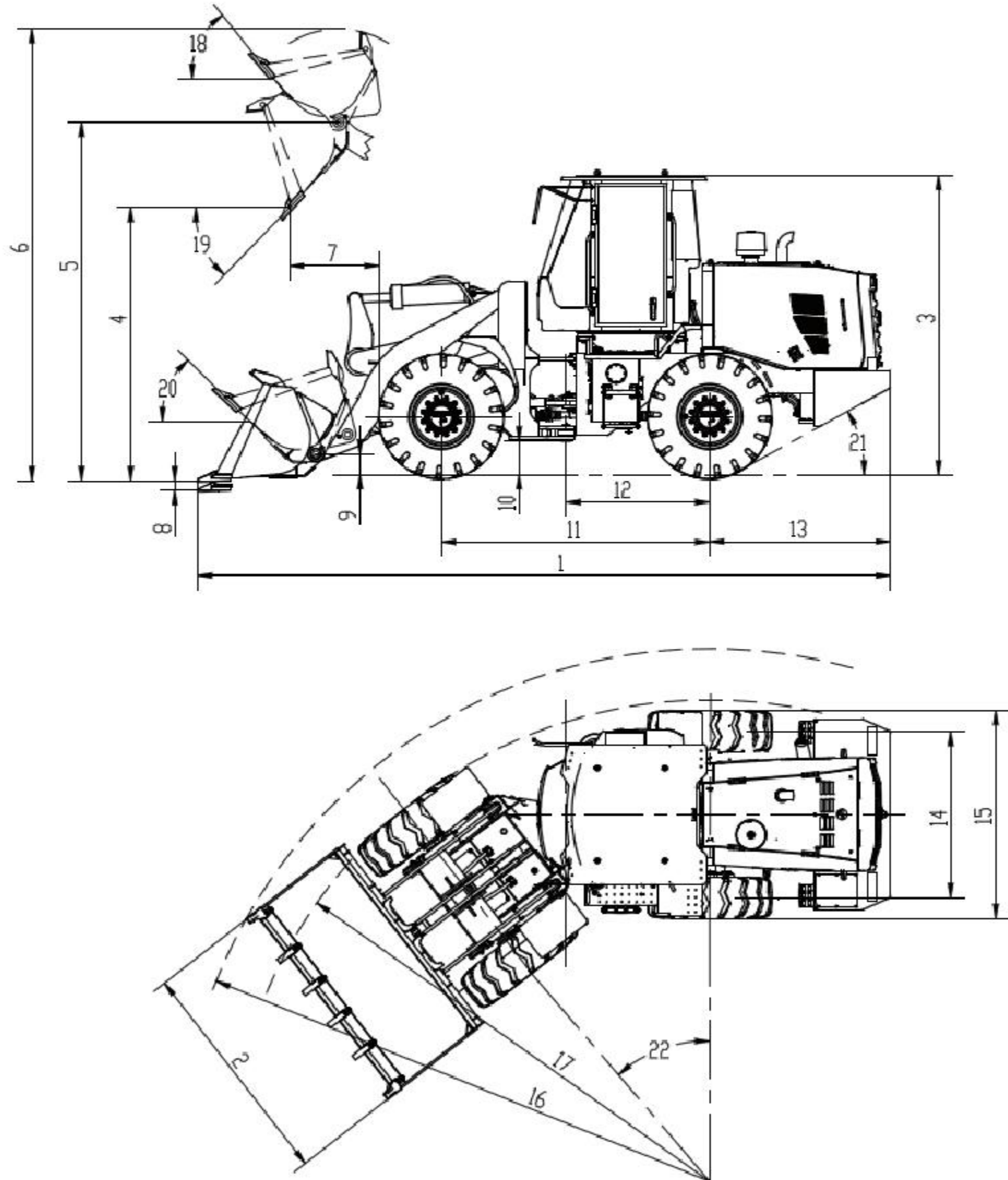
+255 758 301 399 | **+255 764 228 228**

Email: benny@hanlinkgroups.com

kai.you@hanlink.com

Main Specifications

Dimensions



Specifications

Parameter	Parameter	Unit
Rated load kg	5500	kg
Rated bucket capacity m ³	3.2	m ³
Rated power kW	162	kW
Working mass kg	16950±300	kg
Max tractive force kN	160±5	kN
Max breakout force kN	180±5	kN
Wheel base mm	3350	mm
Wheel track mm	2250	mm
Dumping height mm	3070	mm
Dumping range mm	1240	mm
Boom lifting time s	5	s
Total s	10	s
Max gradeability °	28	°
Steering angle °	40	°
Speed at Gear 1 (forward/reverse) km/h	13/17	km/h
Speed at Gear 2 (forward/reverse) km/h	40	km/h
Overall dimensions (L × W × H) mm	8380×2996×3455	mm

Parameter	XC958 standard arm 3.2 m ³	XC958 small-height dumping 3.0 m ³	XC958 Russia (small-height dumping) 3.2 m ³
Overall length mm	8380	8580	8610
Overall width mm	2996	2996	2996
Overall height mm	3455	3455	3455
Dumping height mm	3070	3380	3360
Pivot height mm	4150	4450	4450
Maximum lift height mm	5665	5900	5965
Dumping range mm	1240	1150	1170
Digging depth mm	90	80	80
Transport pin height mm	560	560	560
Min ground clearance mm	425	425	425
Wheel base mm	3350	3350	3350
From the center of rear axle mm	1675	1675	1675
Rear overhang length mm	2140	2140	2140
Wheelbase mm	2250	2250	2250
Mainframe width mm	2850	2850	2850
Turning radius (outside of tool) mm	6750	6820	6825
Turning radius (outside of tyre) mm	6045	6045	6045
Rollback angle during lifting °	57	57	57
Dumping angle °	45	45	45
Dumping angle at transport position °	47	47	47
Departure angle °	28	28	28
Vehicle steering angle °	40	40	40

System category	Specification	XC958
Engine	Brand and model	WEICHAI WD10G220E21
	Type	Inline, six-cylinder, water-cooled, turbocharged
	Displacement	9.726
	Emission standard	China II
Gearbox	Type	Planetary transmission
	Gears	2 forward 1 reverse
Drive axle	Brand and form	XCMG dry drive axle
Tyre	Standard specifications	Front wheel: 23.5-25-18PR; rear wheel: 23.5-25-16PR
Working hydraulic system	Type	Dual-transmission confluence quantitative hydraulic system
	Operation mode	Pilot control
Steering hydraulic system	Type	Full hydraulic steering system
Brake System	Service brake	Air over hydraulic, four-wheel caliper disc brake
	Parking brake	Pneumatically-controlled internal expanding shoe brake
Air conditioner		Cooling and heating
Fuel/oil filling (for reference)	Diesel L	300
	Engine oil L	20
	Antifreeze L	45
	Drive axle oil L	2×27
	Hydraulic fuel L	150
	Brake fluid L	3

The technology of XCMG backhoe loaders is subject to constant improvement and upgrading. In case the specifications or detailed appearance contained in this brochure differ from actual products, the latter shall prevail;

XCMG reserves the right of final interpretation for the above. Our products may be modified without prior notice to users.