



WZ30-25



HANLINK MOBILITY TANZANIA  Julius K. Nyerere Road, Dar es Salaam

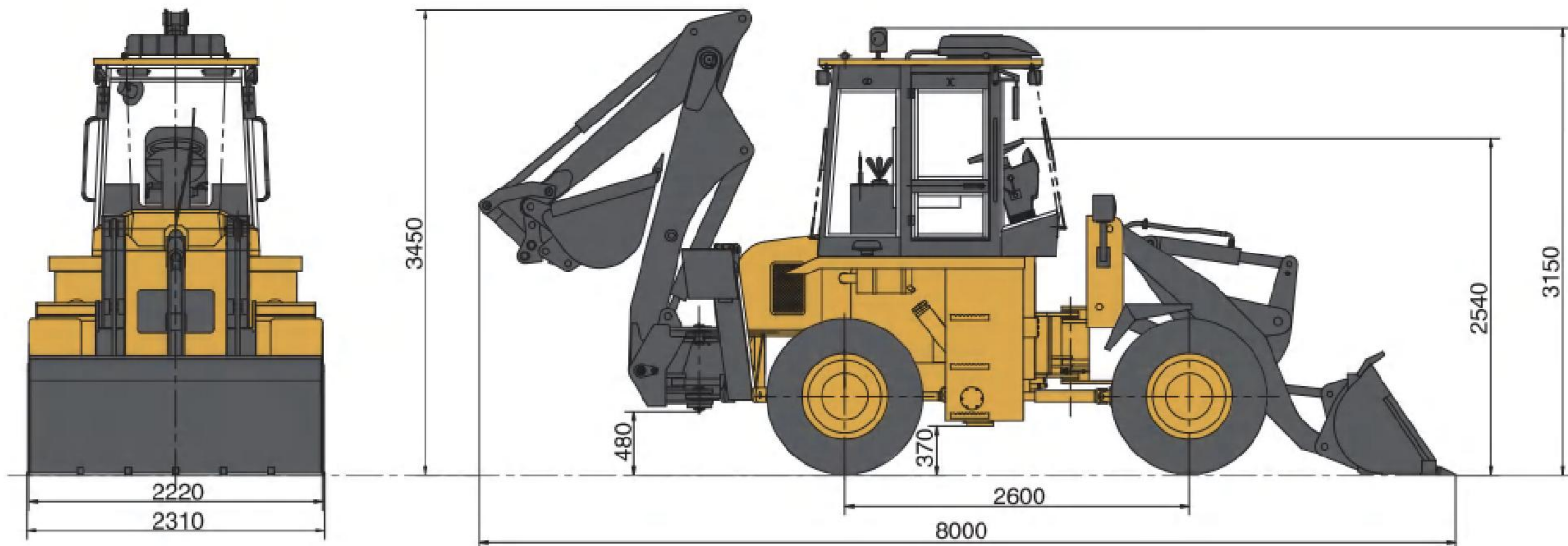


+255 758 301 399 | +255 764 228 228

Email: benny@hanlinkgroups.com

kai.you@hanlink.com

Dimensions



Specifications

Item	Parameter	Unit	System category	Specification	WZ30-25	
Engine rated power/rated speed	65/2200	kw/(r/min)	Engine	Brand & specification	YC4B90-T20	
Overall length	8100	mm		Type	Four-cylinder, electronically-controlled unit pump	
Dimensions	Overall width	2310		mm	Displacement	3.621
	Overall height	3424		mm	Emission standard	China II
Operating weight	9500	kg		Transmission, torque converter	Brand & specification	YJ315X, BYD4208
Max driving speed	33	Km/h	Type		Mechanical shift	
Max gradeability	≥20	°	Drive axle	Gears	Forward 4 reverse 2	
Turning radius (outside of bucket)	5300	mm	Tyre	Specification	JINGDA dry axle	
Wheel base	2600	mm		Specification	16/70-24	
Max tractive force	≥70	kN	Working hydraulic system	Type	Open center throttle hydraulic system	
Bucket rated capacity	1.0	m ³		Control	Machine control for loading end, pilot control for digging end	
Rated operating load	2500	kg	Steering hydraulic system	Type	Full hydraulic steering	
Loading unit	Max breakout force	80	kN	Brake System	Service brake system	Air over hydraulic, caliper disc four-wheel brake
	Max dumping height	2650	mm		Parking brake	Pneumatically-controlled parking brake
	Max dumping range	930	mm	Air conditioning System	Type	Cooling-only air conditioner (optional)
System pressure	18	MPa	Fuel/oil filling quantity (for reference)	Diesel	180L	
Backhoe bucket rated capacity	0.30	m ³		Engine oil	13L	
Digging unit	Max digging radius	5471		mm	Antifreeze	23L
	Max digging depth	4440		mm	Drive axle oil	27L
Max digging force	40	kN		Hydraulic oil	200L	
System pressure	20	MPa	Transmission oil	30L		

- The technology of XCMG backhoe loaders is subject to constant improvement and upgrading. In case the specifications or detailed appearance contained in this brochure differ from actual products, the latter shall prevail;
- XCMG reserves the right of final interpretation for the above. Our products may be modified without prior notice to users.