



D260



D260

Crawler Bulldozer

D260 (China stage I) is a hydraulic drive, electronically controlled shift dozer developed by XCMG for the overseas market. It features high reliability and reliable performance. It is mainly applicable to the excavation, backfilling, pushing and transporting of earth and rocks on the ground of highways, railroads, airports, etc. It is an indispensable construction machine for national defense projects, urban construction and water conservancy construction. This equipment incorporates advanced technologies such as intelligent control, limit load, hydraulic pilot control of blade, electronically controlled shift, construction data management, etc. It is a construction equipment with advanced technology, high efficiency, convenient and flexible operation and high reliability.

HANLINK MOBILITY TANZANIA  Julius K. Nyerere Road, Dar es Salaam



+255 758 301 399 | +255 764 228 228

Email: benny@hanlinkgroups.com

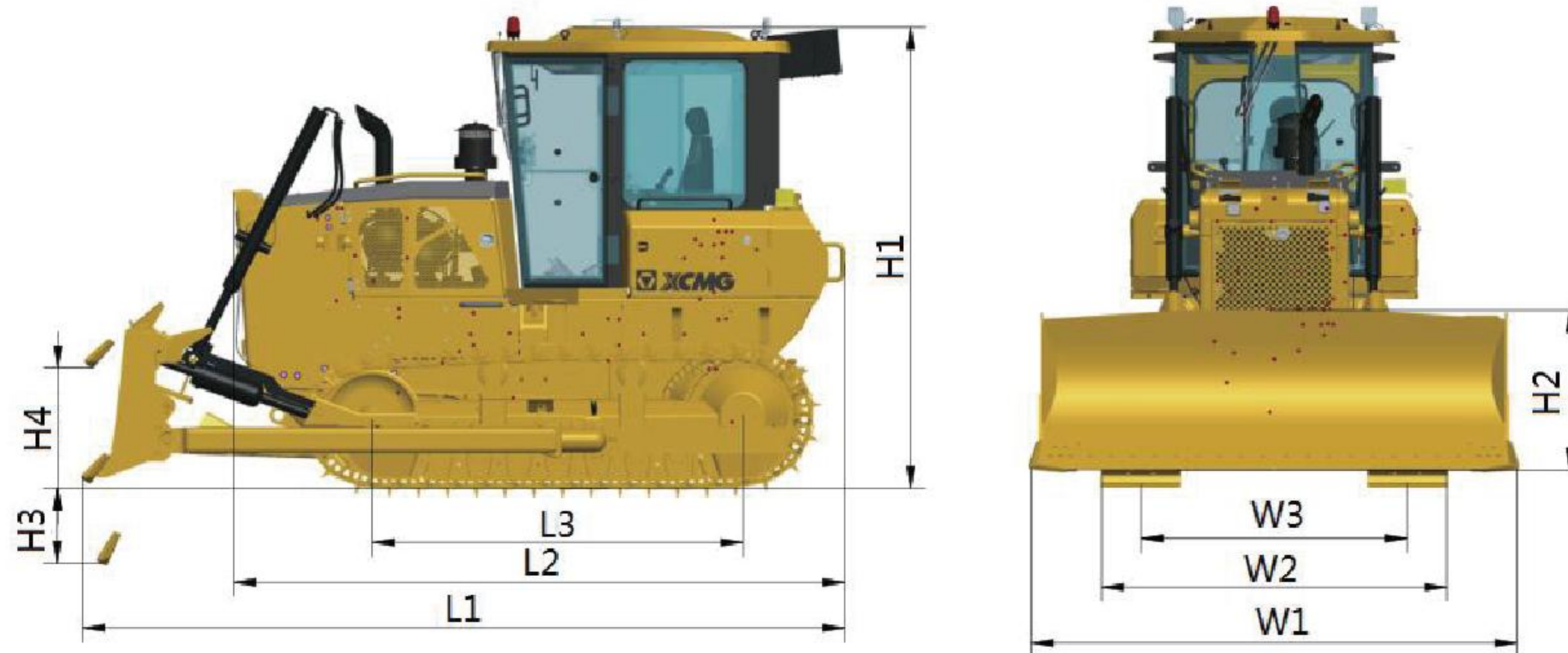
kai.you@hanlink.com

Performance and characteristics

- 7" touch LCD colour monitor, Chinese display HMI, the main page of the monitor real-time displays the engine parameters, travelling status, gear information, fault alarms and other machine parameters; The main and secondary pages can be switched conveniently, and the status of the controller, engine ECU, and troubleshooting can be queried on the secondary page;
- Check the number of working hours, average fuel consumption, maintenance, fault status and other information;
- Two-handle manoeuvring: The work unit manoeuvring is pilot operated, with two handles arranged to control the push shovel and the looseners respectively (optional); Travelling system single handle electric control manipulation, forward and reverse warping switch control, dial wheel shift, with the left hand manipulation;
- The electric brake pedal utilizes brake redundant technology, being light and flexible and highly reliable.

Main dimensions

Dimension	L1	L2	L3	H1	H2	H3	H4	W1	W2	W3
D260	5590	4710	2840	3527	1395	540	1210	3725	2560/2610/2660	2000
D260-LGP	6280	4710	3480	3554	1400	550	1330	4365	3160	2250



Main specifications

Item	Content	Unit	D260	D260LGP
Machine Performance	Weight(Working device)	Kg	23800	26200
	Minimum turning radius	mm	3200	3800
	Ground pressure	kPa	66	35
	Ground clearance	mm	500	405
	Overall Dimensions	mm	5590x3725x3527	6280x4365x3554
Engine	Model		Shanghai Diesel (SC9DF)	NT855
	Rated power/Rated speed	(kW/rpm)	187/1850	187/1850
Chassis system	Track center distance	mm	2000	2250
	Crawler width	mm	560/610/660	910
	Ground contact length of crawler	mm	2840	3480
	Number of track shoes	mm	39	45
	Chain pitch	mm	216	216
	Number of track rollers(one side)	pcs	7	8
	Number of carrier rollers(one side)	pcs	2	2
Tank capacities	Fuel tank	L	450	450
	Hydraulic oil tank	L	110	110
Working device	Blade type		Straight blade	S.U Blade
	Blade width	mm	3725	4365
	Blade height	mm	1395	1400
	Blade capacity	m ³	5.8	5.6
	Blade lifting height above the ground	mm	1210	1330
	Working depth	mm	540	550
Ripper	Ripper type		single-tooth/three-tooth(option)	—
	Working depth	mm	695/666	—
	Ripper lifting height above the ground	mm	515/555	—